

Standard Features:

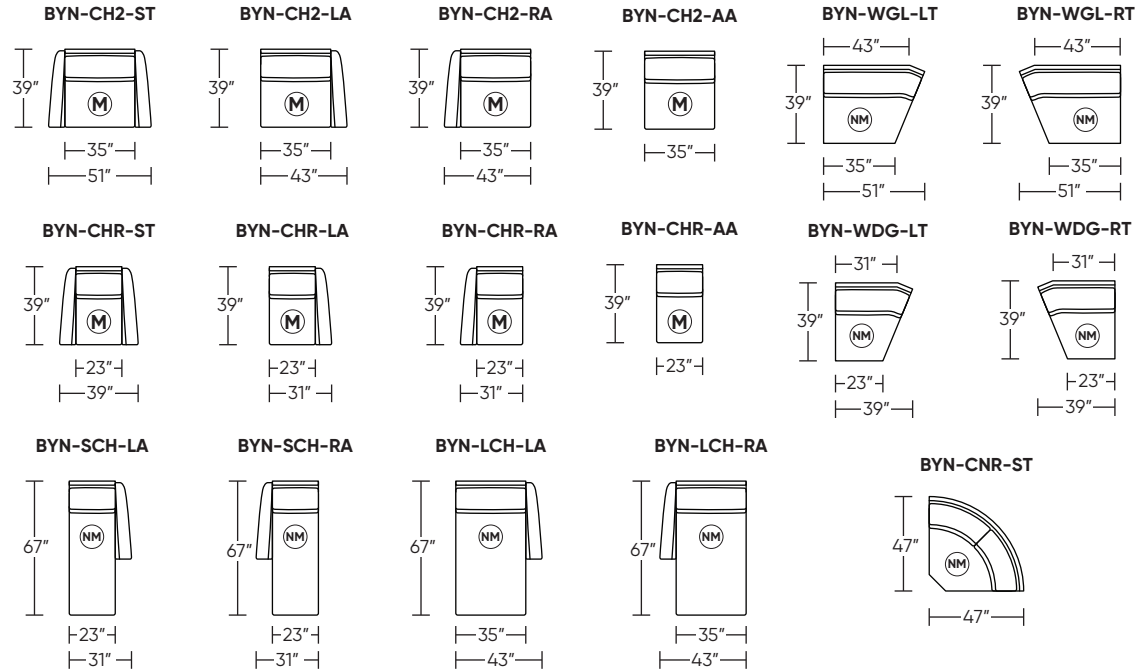
- Premium high-density, high-resiliency foam seat cushions encased in down
- Sinuous spring suspension
- Semi-attached back cushions with lumbar support
- Semi-attached seat cushions
- Double-needle top-stitch
- In-arm control panel is easy to use and includes a USB-C charging port
- Control panel is LED backlit with auto-off after 5 seconds
- Limited lifetime warranty on frame and suspension
- Ten-year warranty on mechanism
- Three-year warranty on motor and electronics
- Quick-ship delivery

Options:

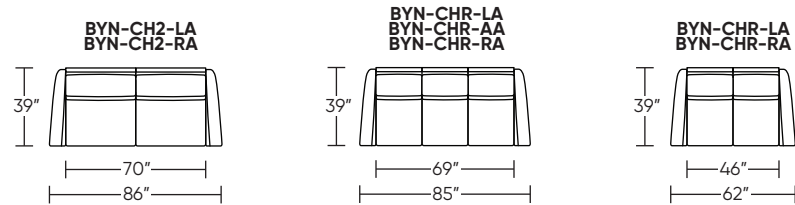
- Wood sled legs available in Dune, Ebony, Mink, or Oiled Ash finish
- Solid Natural Walnut wood sled legs available
- Premium high-density, high-resiliency foam seat cushion
- Contrasting stitch detail available in Bermuda Green, Beige, Black, Brown, Charcoal, Cream, Espresso, Gold Brown, Grey, Lemon, Midnight Blue, and Scarlet thread color
- Contrasting back and seat cushions available (two-tone)
- Lithium-ion battery pack available
- Battery pack has a one-year warranty
- Easy disassembly for delivery

Please use actual leather, fabric, Crypton®, Sunbrella® and Ultrasuede® swatches when specifying furniture as the colors shown may vary due to the printing process.

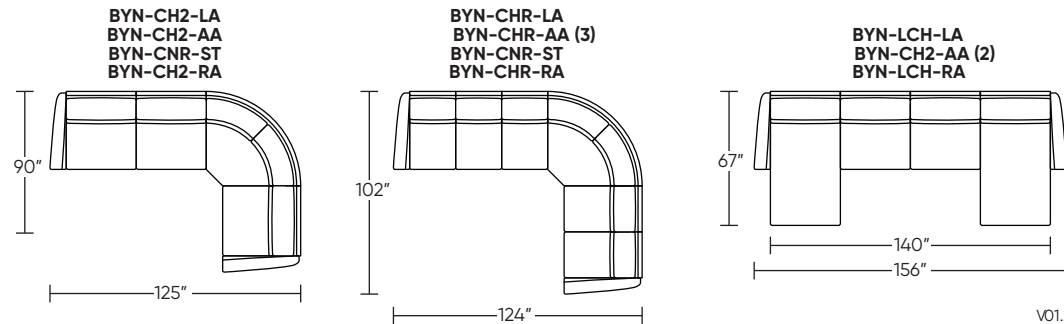
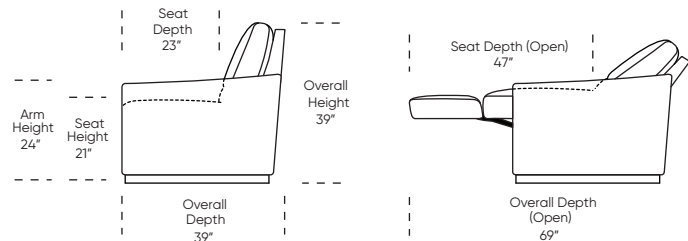
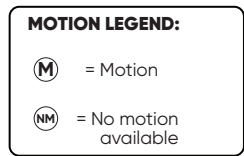
NOTE: Please be advised that microfiber fabrics like SUEDELIFE and VEELIFE, and velvet fabrics such as JENSON, REED, and SURI, are not recommended for this style. For a comprehensive list of covers that are NOT suggested, please contact American Leather Support Services. This information can also be found on the fabric landing pages of our website or by scanning the swatch QR code.



Suggested Configurations



Wall Clearance is 5" at full recline.



V01.24.25

Safe low voltage electrical components are UL listed.

Scale : 1/8 inch = 1 foot
All dimensions are approximate and subject to change.
Specify all components from the sitting position.